

SECTION MA

GI

MA

EM

LC

EC

FE

CL

MT

AT

FA

RA

BR

ST

RS

BT

HA

EL

IDX

CONTENTS

PRECAUTIONS AND PREPARATION2	CHASSIS AND BODY MAINTENANCE17
Supplemental Restraint System (SRS) "AIR BAG"2	Checking Exhaust System.....17
Special Service Tool2	Checking Clutch Fluid Level and Leaks.....17
GENERAL MAINTENANCE3	Checking M/T Oil.....17
PERIODIC MAINTENANCE5	Changing M/T Oil.....17
Schedule 16	Checking A/T Fluid18
Schedule 27	Changing A/T Fluid18
RECOMMENDED FLUIDS AND LUBRICANTS8	Balancing Wheels18
Fluids and Lubricants8	Tire Rotation19
SAE Viscosity Number8	Checking Brake Fluid Level and Leaks.....19
Anti-freeze Coolant Mixture Ratio9	Checking Brake Lines and Cables.....19
ENGINE MAINTENANCE10	Checking Disc Brake19
Checking Drive Belts10	Checking Steering Gear and Linkage20
Changing Engine Coolant.....11	Checking Power Steering Fluid and Lines20
Checking Fuel Lines12	Lubricating Locks, Hinges and Hood Latches.....21
Changing Fuel Filter12	Checking Seat Belts, Buckles, Retractors, Anchors and Adjusters.....21
Changing Air Cleaner Filter13	SERVICE DATA AND SPECIFICATIONS (SDS)22
Changing Engine Oil.....14	Engine Maintenance22
Changing Oil Filter.....14	Chassis and Body Maintenance.....22
Changing Spark Plugs.....15	
Checking EVAP Vapor Purge Lines16	

PRECAUTIONS AND PREPARATION

Supplemental Restraint System (SRS) "AIR BAG"

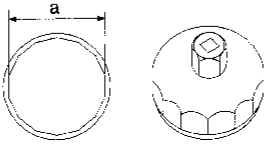
The Supplemental Restraint System "Air Bag", used along with a seat belt, helps to reduce the risk or severity of injury to the driver and front passenger in a frontal collision. The Supplemental Restraint System consists of air bag modules (located in the center of the steering wheel and on the instrument panel on the passenger side), a diagnosis sensor unit, warning lamp, wiring harness and spiral cable. Information necessary to service the system safely is included in the **RS section** of this Service Manual.

WARNING:

- **To avoid rendering the SRS inoperative, which could increase the risk of personal injury or death in the event of a collision which would result in air bag inflation, all maintenance must be performed by an authorized NISSAN dealer.**
- **Improper maintenance, including incorrect removal and installation of the SRS, can lead to personal injury caused by unintentional activation of the system.**
- **Do not use electrical test equipment on any circuit related to the SRS unless instructed to in this Service Manual. SRS wiring harnesses are covered with yellow insulation either just before the harness connectors or for the complete harness, for easy identification.**

Special Service Tool

The actual shapes of Kent-Moore tools may differ from these of special service tools illustrated here.

Tool number (Kent-Moore No.) Tool name	Description
KV10115801 (J38956) Oil filter wrench	
NT375	a: 64.3 mm (2.531 in)

GENERAL MAINTENANCE

General maintenance includes those items which should be checked during normal day-to-day operation of the vehicle. They are essential if the vehicle is to continue operating properly. The owners can perform checks and inspections themselves or have their NISSAN dealers do them.

Item	Reference page	
OUTSIDE THE VEHICLE		
The maintenance items listed here should be performed from time to time, unless otherwise specified.		
Tires Check the pressure with a gauge periodically when at a service station, including the spare, and adjust to the specified pressure if necessary. Check carefully for damage, cuts or excessive wear.	—	GI MA EM
Wheel nuts When checking the tires, make sure no nuts are missing, and check for any loose nuts. Tighten if necessary.	—	IG
Tire rotation Tires should be rotated every 12,000 km (7,500 miles).	MA-19	EC
Wheel alignment and balance If the vehicle pulls to either side while driving on a straight and level road, or if you detect uneven or abnormal tire wear, there may be a need for wheel alignment. If the steering wheel or seat vibrates at normal highway speeds, wheel balancing may be needed.	MA-18 FA-6	FE
Windshield wiper blades Check for cracks or wear if they do not wipe properly.	—	GL
Doors and engine hood Check that all doors and the engine hood operate smoothly as well as the trunk lid or back hatch. Also make sure that all latches lock securely. Lubricate if necessary. Make sure that the secondary latch keeps the hood from opening when the primary latch is released.	MA-21	MT
When driving in areas using road salt or other corrosive materials, check lubrication frequently.		
INSIDE THE VEHICLE		
The maintenance items listed here should be checked on a regular basis, such as when performing periodic maintenance, cleaning the vehicle, etc.		
Lamps Make sure that the headlamps, stop lamps, tail lamps, turn signal lamps, and other lamps are all operating properly and installed securely. Also check headlamp aim.	—	AT FA
Warning lights and buzzers/chimes Make sure that all warning lights and buzzers/chimes are operating properly.	—	RA
Windshield wiper and washer Check that the wipers and washer operate properly and that the wipers do not streak.	—	BR
Windshield defroster Check that air comes out of the defroster outlets properly and in good quantity when operating the heater or air conditioner.	—	ST
Steering wheel Check that it has the specified play. Be sure to check for changes in the steering condition, such as excessive play, hard steering or strange noises.	—	RS
Free play: Less than 35 mm (1.38 in)		
Seats Check seat position controls such as seat adjusters, seatback recliner, etc. to make sure they operate smoothly and that all latches lock securely in every position. Check that the head restraints move up and down smoothly and that the locks (if equipped) hold securely in all latched positions. Check that the latches lock securely for folding-down rear seatbacks.	—	BT
Seat belts Check that all parts of the seat belt system (e.g. buckles, anchors, adjusters and retractors) operate properly and smoothly, and are installed securely. Check the belt webbing for cuts, fraying, wear or damage.	MA-21	HA EL IDX

GENERAL MAINTENANCE

Item	Reference page
Clutch pedal Make sure the pedal operates smoothly and check that it has the proper free play.	CL-4
Brakes Check that the brake does not pull the vehicle to one side when applied.	—
Brake pedal and booster Check the pedal for smooth operation and make sure it has the proper distance under it when depressed fully. Check the brake booster function. Be sure to keep the floor mats away from the pedal.	BR-6, 7
Parking brake Check that the lever has the proper travel and make sure that the vehicle is held securely on a fairly steep hill when only the parking brake is applied.	BR-21
Automatic transaxle “Park” mechanism Check that the brake pedal must be depressed for the selector lever to be moved from the “P” position. On a fairly steep hill check that the vehicle is held securely with the selector lever in the “P” position without applying any brakes.	—
UNDER THE HOOD AND VEHICLE	
The maintenance items listed here should be checked periodically (e.g. each time you check the engine oil or refuel).	
Windshield washer fluid Check that there is adequate fluid in the tank.	—
Engine coolant level Check the coolant level when the engine is cold.	MA-11
Radiator and hoses Check the front of the radiator and clean off any dirt, insects, leaves, etc., that may have accumulated. Make sure the hoses have no cracks, deformation, deterioration or loose connections.	—
Brake and clutch fluid levels Make sure that the brake and clutch fluid levels are between the “MAX” and “MIN” lines on the reservoir.	MA-19, 17
Battery Check the fluid level in each cell. It should be between the “MAX” and “MIN” lines.	—
Engine drive belts Make sure that no belt is frayed, worn, cracked or oily.	MA-10
Engine oil level Check the level on the dipstick after parking the vehicle on a level spot and turning off the engine.	MA-14
Power steering fluid level and lines Check the level on the dipstick with the engine off. Check the lines for improper attachment, leaks, cracks, etc.	MA-20
Automatic transaxle fluid level Check the level on the dipstick after putting the selector lever in “P” with the engine idling.	MA-18
Exhaust system Make sure there are no loose supports, cracks or holes. If the sound of the exhaust seems unusual or there is a smell of exhaust fumes, immediately locate the trouble and correct it.	MA-17
Underbody The underbody is frequently exposed to corrosive substances such as those used on icy roads or to control dust. It is very important to remove these substances, otherwise rust will form on the floor pan, frame, fuel lines and around the exhaust system. At the end of winter, the underbody should be thoroughly flushed with plain water, being careful to clean those areas where mud and dirt can easily accumulate.	—
Fluid leaks Check under the vehicle for fuel, oil, water or other fluid leaks after the vehicle has been parked for a while. Water dripping from the air conditioner after use is normal. If you should notice any leaks or if gasoline fumes are evident, check for the cause and correct it immediately.	—

PERIODIC MAINTENANCE

Two different maintenance schedules are provided, and should be used, depending upon the conditions in which the vehicle is mainly operated. **After 60,000 miles (96,000 km) or 48 months, continue the periodic maintenance at the same mileage/time intervals.**

SCHEDULE 1

Follow Periodic Maintenance Schedule 1 if your driving habits frequently includes one or more of the following driving conditions:

- Repeated short trips of less than 5 miles (8 km).
- Repeated short trips of less than 10 miles (16 km) with outside temperatures remaining below freezing.
- Operating in hot weather in stop-and-go "rush hour" traffic.
- Extensive idling and/or low speed driving for long distances, such as police, taxi or door-to-door delivery use.
- Driving in dusty conditions.
- Driving on rough, muddy, or salt spread roads.
- Towing a trailer, using a camper or a car-top carrier.

SCHEDULE 2

Follow Periodic Maintenance Schedule 2 if none of the driving conditions shown in Schedule 1 apply to your driving habits.

GI

MA

EM

LC

EC

FE

CL

MT

AT

FA

RA

BR

ST

RS

BT

HA

EL

IDX

PERIODIC MAINTENANCE

Schedule 1

Abbreviations: R = Replace. I = Inspect. Correct or replace if necessary. []: At the mileage intervals only

MAINTENANCE OPERATION	MAINTENANCE INTERVAL												Reference page				
Perform at number of miles, kilometers or months, whichever comes first.	Miles x 1,000	3.75	7.5	11.25	15	18.75	22.5	26.25	30	33.75	37.5	41.25	45	48.75	52.5	56.25	60
Months	(6)	(12)	(18)	(24)	(30)	(36)	(42)	(48)	(54)	(60)	(66)	(72)	(78)	(84)	(90)	(96)	
Emission control system maintenance																	
Drive belts	See NOTE (1)												I*	MA-10			
Air cleaner filter	See NOTE (2)												[R]	MA-13			
Vapor lines													I*	MA-16			
Fuel lines													I*	MA-12			
Fuel filter	See NOTE (3)*													MA-12			
Engine coolant	See NOTE (4)												R*	MA-11			
Engine oil	R	R	R	R	R	R	R	R	R	R	R	R	R	R	R	R	MA-14
Engine oil filter (Use part No. 15208-31U00 or equivalent.)	R	R	R	R	R	R	R	R	R	R	R	R	R	R	R	R	MA-14
Spark plugs (Use PLATINUM-TIPPED type)													[R]	MA-15			
Intake & exhaust valve clearance	See NOTE (5)													EM-47			
Chassis and body maintenance																	
Brake lines & cables													I	MA-19			
Brake pads & discs													I	MA-19			
Manual & automatic transaxle oil	See NOTE (6)												I	MA-17, 18			
Steering gear & linkage, axle & suspension parts	I	I	I	I	I	I	I	I	I	I	I	I	I	I	I	I	MA-20, FA-5, RA-4
Steering linkage ball joints & front suspension ball joints													I	MA-20, FA-5			
Exhaust system													I	MA-17			
Drive shaft boots													I	FA-7			
Air bag system	See NOTE (7)													RS-7			

NOTE: (1) After 60,000 miles (96,000 km) or 48 months, inspect every 15,000 miles (24,000 km) or 12 months.
(2) If operating mainly in dusty conditions, more frequent maintenance may be required.
(3) If vehicle is operated under extremely adverse weather conditions or in areas where ambient temperatures are either extremely low or extremely high, the filters might become clogged. In such an event, replace them immediately.
(4) After 60,000 miles (96,000 km) or 48 months, replace every 30,000 miles (48,000 km) or 24 months.
(5) If valve noise increases, inspect valve clearance.
(6) If towing a trailer, using a camper or a car-top carrier, or driving on rough or muddy roads, change (not just inspect) oil at every 30,000 miles (48,000 km) or 24 months.
(7) Inspect the air bag system 10 years after the date of manufacture noted on the FMVSS certification label.
 * Maintenance items and intervals with "star" are recommended by NISSAN/INFINITI for reliable vehicle operation. The owner need not perform such maintenance in order to maintain the emission warranty or manufacturer recall liability. Other maintenance items and intervals are required.

Schedule 2

[]: At the mileage intervals only

Abbreviations: R = Replace. I = Inspect. Correct or replace if necessary.

MAINTENANCE OPERATION

Perform at number of miles, kilometers or months, whichever comes first.

MAINTENANCE INTERVAL

Miles x 1,000	7.5	15	22.5	30	37.5	45	52.5	60	Reference page
(km x 1,000)	(12)	(24)	(36)	(48)	(60)	(72)	(84)	(96)	
Months	6	12	18	24	30	36	42	48	

Emission control system maintenance

Drive belts	See NOTE (1)	I*							MA-10
Air cleaner filter		[R]							MA-13
Vapor lines		I*							MA-16
Fuel lines		I*							MA-12
Fuel filter	See NOTE (2)*								MA-12
Engine coolant	See NOTE (3)								MA-11
Engine oil		R	R	R	R	R	R	R	MA-14
Engine oil filter (Use part No. 15208-31U00 or equivalent.)		R	R	R	R	R	R	R	MA-14
Spark plugs (Use PLATINUM-TIPPED type)								[R]	MA-15
Intake & exhaust valve clearance	See NOTE (4)								EM-47

Chassis and body maintenance

Brake lines & cables		I	I	I	I	I	I	I	MA-19
Brake pads & discs		I	I	I	I	I	I	I	MA-19
Manual & automatic transaxle oil		I	I	I	I	I	I	I	MA-17, 18
Steering gear linkage, axle & suspension parts		I	I	I	I	I	I	I	MA-20, FA-5, RA-4
Exhaust system		I	I	I	I	I	I	I	MA-17
Drive shaft boots		I	I	I	I	I	I	I	FA-7
Air bag system	See NOTE (5)								RS-7

NOTE: (1) After 60,000 miles (96,000 km) or 48 months, inspect every 15,000 miles (24,000 km) or 12 months.
(2) If vehicle is operated under extremely adverse weather conditions or in areas where ambient temperatures are either extremely low or extremely high, the filters might become clogged. In such an event, replace them immediately.
(3) After 60,000 miles (96,000 km) or 48 months, replace every 30,000 miles (48,000 km) or 24 months.
(4) If valve noise increases, inspect valve clearance.
(5) Inspect the air bag system 10 years after the date of manufacture noted on the FMVSS certification label.
 ★ Maintenance items and intervals with "*" are recommended by NISSAN/INFINITI for reliable vehicle operation. The owner need not perform such maintenance in order to maintain the emission warranty or manufacturer recall liability. Other maintenance items and intervals are required.

RECOMMENDED FLUIDS AND LUBRICANTS

Fluids and Lubricants

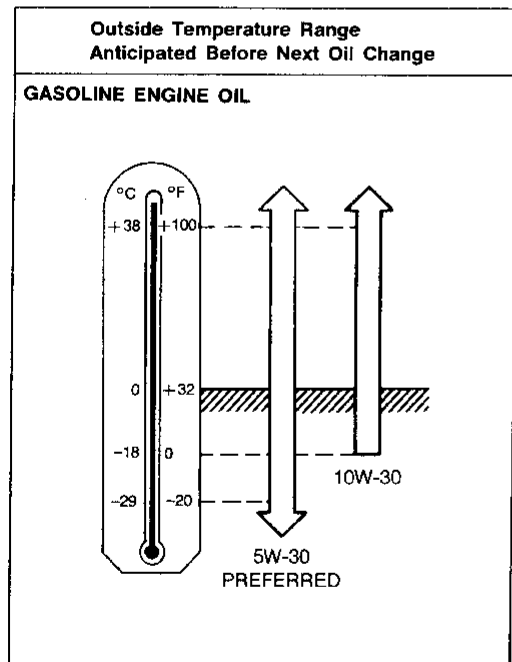
	Capacity (Approximate)			Recommended specifications
	US measure	Imp measure	Liter	
Engine oil (Refill)				
With oil filter	4-1/4 qt	3-1/2 qt	4.0	<ul style="list-style-type: none"> • API SG or SH and Energy Conserving II*2 • API Certification Mark*2
Without oil filter	3-7/8 qt	3-1/4 qt	3.7	
Cooling system				
With reservoir	9 qt	7-1/2 qt	8.5	Anti-freeze coolant (Ethylene glycol base)
Reservoir	7/8 qt	3/4 qt	0.8	
Manual transaxle gear oil				
RS5F50V	9-1/8 - 9-1/2 pt	7-5/8 - 7-7/8 pt	4.3 - 4.5	API GL-4*2
RS5F50A	9-1/2 - 10-1/8 pt	7-7/8 - 8-1/2 pt	4.5 - 4.8	
Automatic transaxle fluid	10 qt	8-1/4 qt	9.4	Nissan Matic "D" (Continental U.S. and Alaska) or Genuine Nissan Automatic Transmission Fluid (Canada).*1
Power steering fluid	—	—	—	Type DEXRON™II or equivalent
Brake & Clutch fluid	—	—	—	Genuine Nissan Brake Fluid*3 or equivalent DOT 3 (US FMVSS No. 116)
Multi-purpose grease	—	—	—	NLGI No. 2 (Lithium soap base)

*1: Dexron® III/Mercon® or equivalent may also be used. Outside the continental United States and Alaska contact a NISSAN dealership for more information regarding suitable fluids, including recommended brand(s) of Dexron® III/Mercon® or Dexron® IIE/Mercon® Automatic Transmission Fluid.

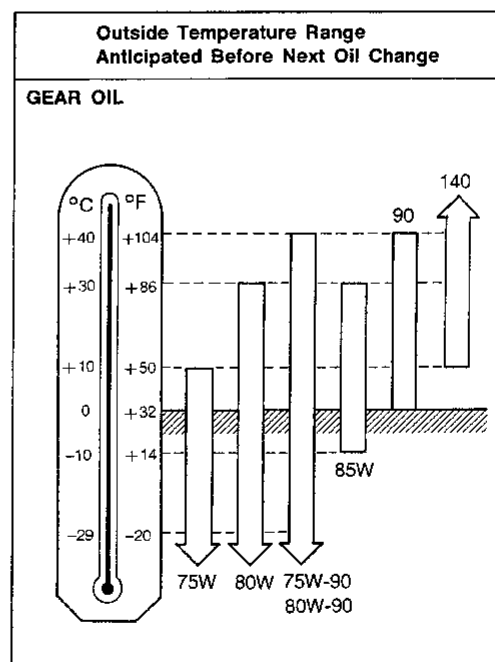
*2: For further details, see "SAE Viscosity Number".

*3: For more information regarding suitable fluids, contact a NISSAN dealership.

SAE Viscosity Number



5W-30 is preferred for all ambient temperatures. 10W-30 may be used if the ambient temperature is above -18°C (0°F).



80W-90 is preferable for ambient temperature below 40°C (104°F).

Anti-freeze Coolant Mixture Ratio

The engine cooling system is filled at the factory with a high-quality, year-round, anti-freeze coolant solution. The anti-freeze solution contains rust and corrosion inhibitors. Therefore, additional cooling system additives are not necessary.

CAUTION:

When adding or replacing coolant, be sure to use only an ethylene glycol anti-freeze with the proper mixture ratio. See the following examples:

Outside temperature down to		Anti- freeze	Soft water
°C	°F		
-15	5	30%	70%
-35	-30	50%	50%

The use of other types of coolant solutions may damage your cooling system.

GI

MA

EM

LC

EC

FE

CL

MT

AT

FA

PA

BR

ST

RS

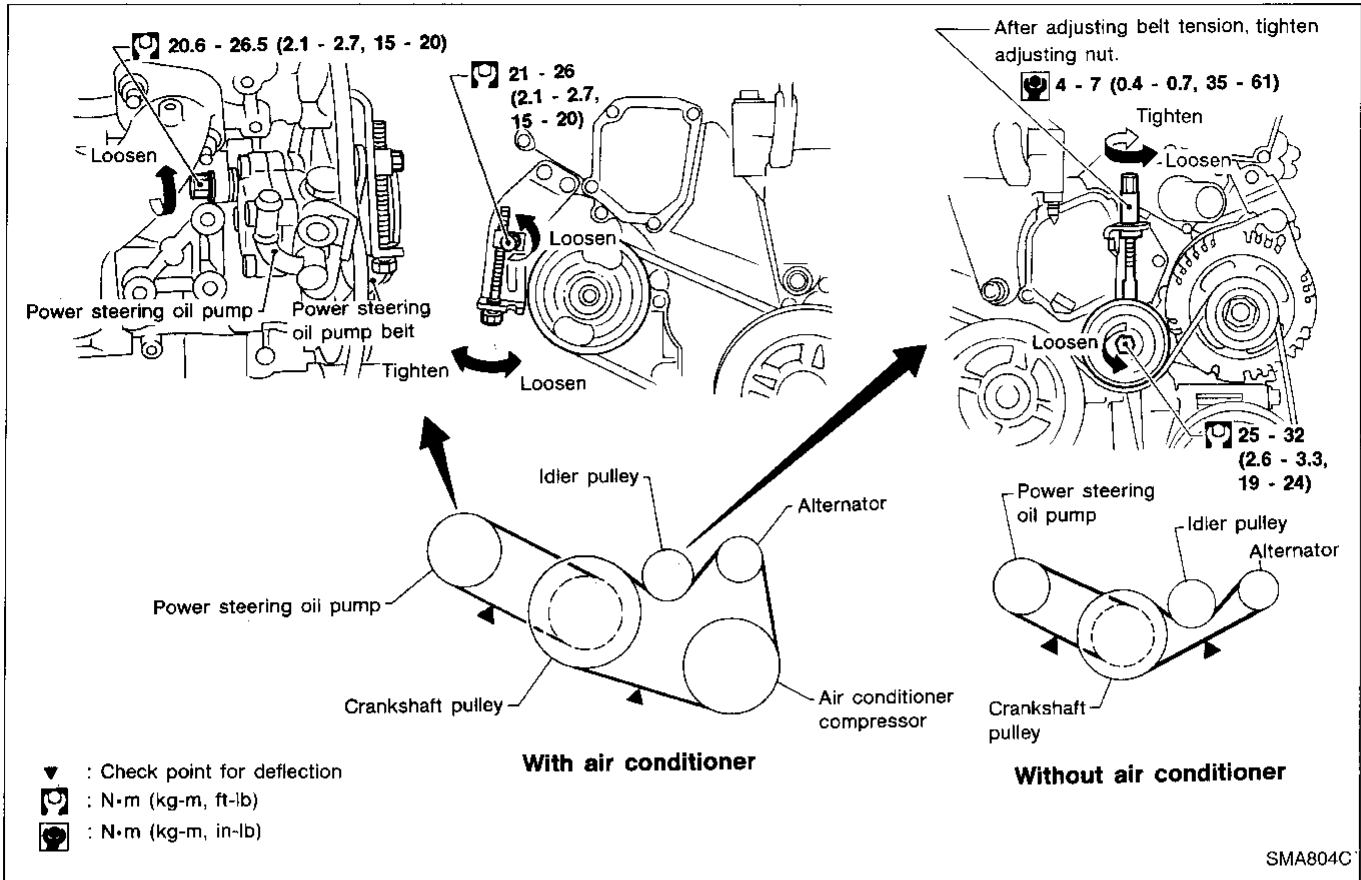
BT

HA

EL

IDX

Checking Drive Belts



1. Inspect for cracks, fraying, wear or oil. If necessary, replace with a new one.
2. Inspect drive belt deflections by pushing midway between pulleys.

Inspect drive belt deflections when engine is cold.

Adjust if belt deflections exceed the limit.

Belt deflection:

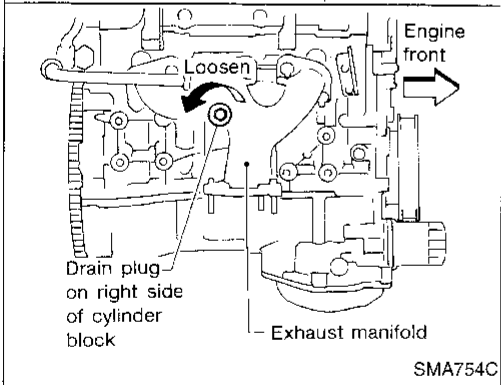
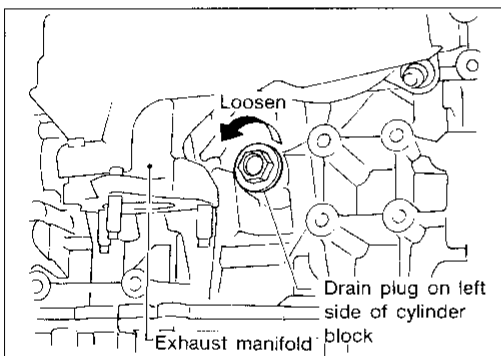
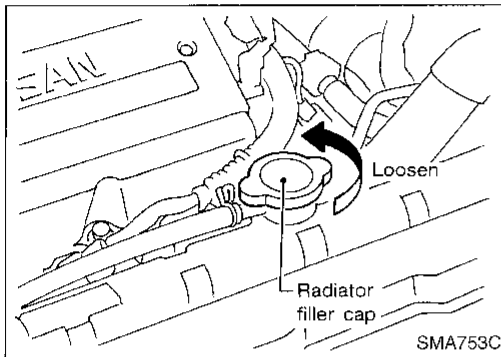
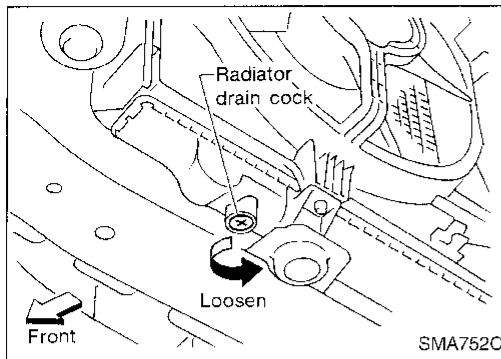
Unit: mm (in)

Drive belts	Used belt deflection		Deflection of new belt
	Limit	Deflection after adjustment	
Alternator	7 (0.28)	4.2 - 4.6 (0.165 - 0.181)	3.8 - 4.1 (0.150 - 0.161)
		10 (0.39)	6.3 - 6.9 (0.248 - 0.272)
Power steering oil pump	11 (0.43)	7.3 - 8 (0.287 - 0.315)	6.5 - 7 (0.256 - 0.276)
Applied pushing force	98 N (10 kg, 22 lb)		

Changing Engine Coolant

WARNING:

To avoid the danger of being scalded, never change the coolant when the engine is hot.



1. Open radiator drain cock at the bottom of radiator, and remove radiator filler cap.
2. Remove reservoir tank, drain coolant, then clean reservoir tank. Install it temporarily.
 - **Be careful not to allow coolant to contact drive belts.**

3. Open drain plugs on both sides of cylinder block.

4. Close and tighten drain plugs securely.
5. Flush cooling system by running fresh water through radiator.
 - **Apply sealant to the drain plug thread.**
 - : 60 - 66 N·m (6.1 - 6.7 kg-m, 44.1 - 48.5 ft-lb) Left side
 - 17.7 - 21.6 N·m (1.8 - 2.2 kg-m, 13.0 - 15.9 ft-lb) Right side

GI

MA

EM

LC

EC

FE

CL

MT

AT

FA

RA

BR

ST

RS

BT

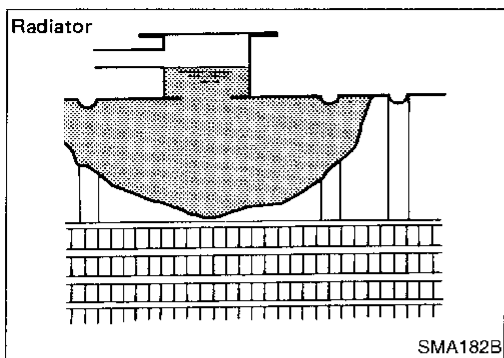
HA

EL

DX

ENGINE MAINTENANCE

Changing Engine Coolant (Cont'd)



- Fill radiator slowly with proper mixture of coolant and water. Fill reservoir tank up to the "H" level. Then install radiator cap.

Coolant capacity (With reservoir tank):

8.5ℓ (9 US qt, 7-1/2 Imp qt)

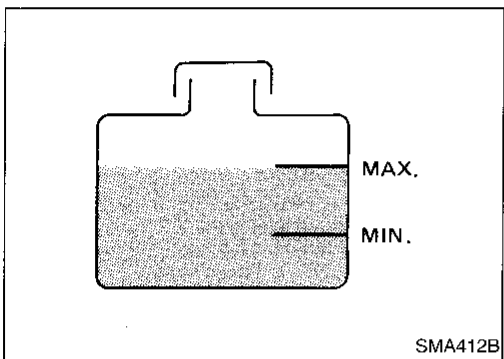
Reservoir tank:

0.8ℓ (7/8 US qt, 3/4 Imp qt)

Pour coolant through coolant filler neck slowly to allow air in system to escape.

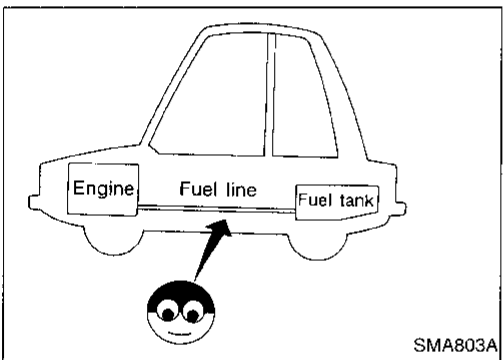
Regarding anti-freeze coolant mixture ratio, see MA-9.

- Start engine and warm it up until it reaches normal operating temperature. Then race engine 2 or 3 times under no-load. Watch coolant temperature gauge for signs of overheating.
- Stop engine. After it completely cools down, refill radiator up to filler opening. Fill reservoir tank up to the "H" level.
- Check drain cock and drain plug for any sign of leakage.



Checking Fuel Lines

Inspect fuel lines and tank for improper attachment, leaks, cracks, damage, chafing or deterioration. If necessary, repair or replace.

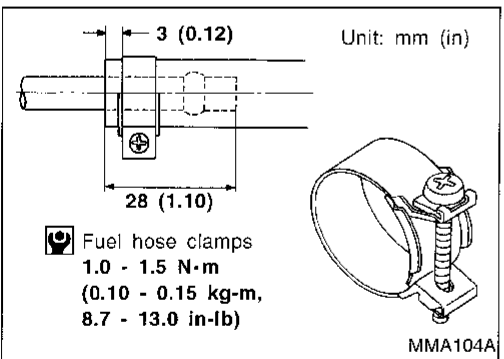


CAUTION:

Tighten high-pressure rubber hose clamp so that clamp end is 3 mm (0.12 in) from hose end.

Tightening torque specifications are the same for all rubber hose clamps.

Ensure that screw does not contact adjacent parts.



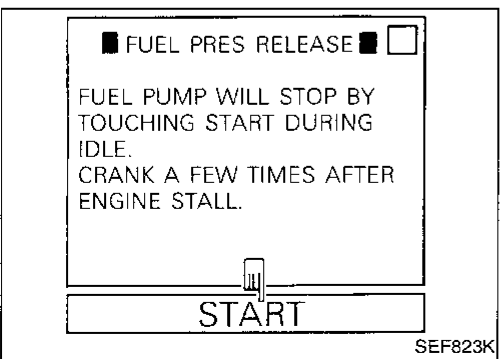
Changing Fuel Filter

WARNING:

Before removing fuel filter, release fuel pressure from fuel line to eliminate danger.

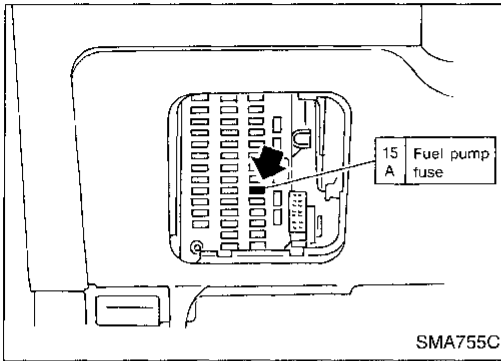


- Start engine.
- Perform "FUEL PRESSURE RELEASE" in "WORK SUPPORT" mode with CONSULT.
- After engine stalls, crank engine two or three times to make sure that fuel pressure is released.
- Turn ignition switch off.



ENGINE MAINTENANCE

Changing Fuel Filter (Cont'd)

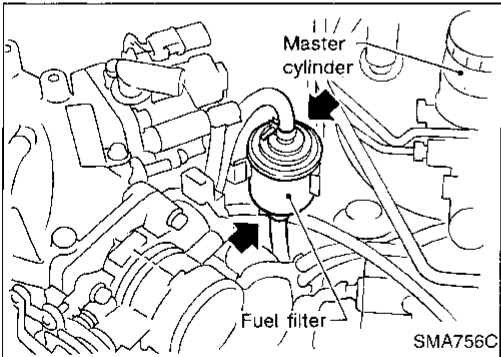


1. Remove fuel pump fuse.
2. Start engine.
3. After engine stalls, crank engine two or three times to make sure that fuel pressure is released.
4. Turn ignition switch off and install fuel pump fuse.

GI

MA

EM



5. Loosen fuel hose clamps.
6. Replace fuel filter.

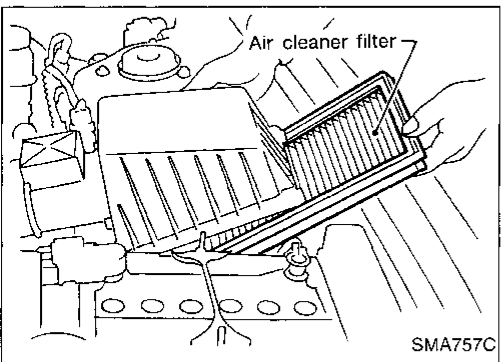
- **Be careful not to spill fuel over engine compartment. Place a shop towel to absorb fuel.**
- **Use a high-pressure type fuel filter. Do not use a synthetic resinous fuel filter.**
- **When tightening fuel hose clamps, refer to "Checking Fuel Lines".**

LC

EC

FE

CL



Changing Air Cleaner Filter

Viscous paper type

The viscous paper type filter does not need cleaning between renewals.

MT

AT

FA

RA

BR

ST

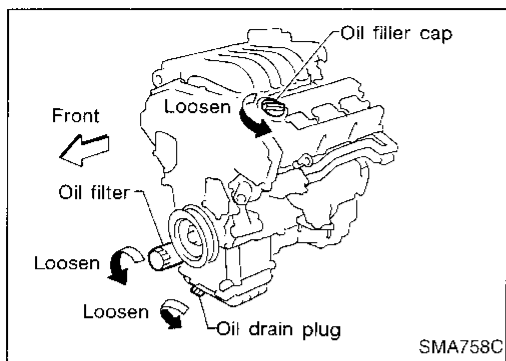
RS

BT

HA

EL

IDX



Changing Engine Oil

WARNING:

- Be careful not to burn yourself, as the engine oil is hot.
- Prolonged and repeated contact with used engine oil may cause skin cancer; try to avoid direct skin contact with used oil. If skin contact is made, wash thoroughly with soap or hand cleaner as soon as possible.

1. Warm up engine, and check for oil leakage from engine components.
2. Remove drain plug and oil filter cap.
3. Drain oil and refill with new engine oil.

Oil grade: API SG or SH

Viscosity: Refer to MA-8.

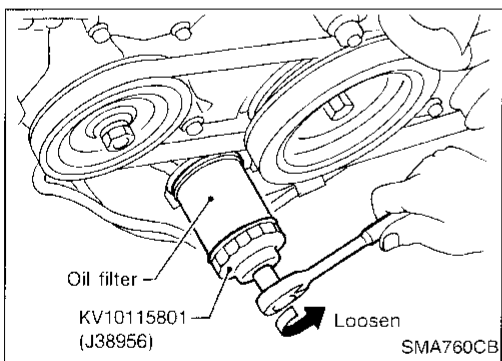
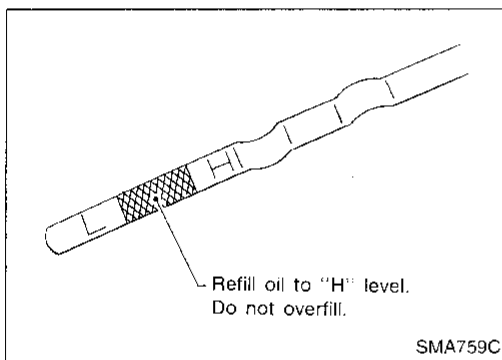
Refill oil capacity (Approximate):

Unit: liter (US qt, Imp qt)

With oil filter change	4.0 (4-1/4, 3-1/2)
Without oil filter change	3.7 (3-7/8, 3-1/4)

CAUTION:

- Be sure to clean drain plug and install with new washer.
Drain plug:
 \square : 29 - 39 N·m (3.0 - 4.0 kg-m, 22 - 29 ft-lb)
 - The refill capacity depends on the oil temperature and drain time; use the "Refill oil capacity" values as a reference and be certain to check with the dipstick when changing the oil.
4. Check oil level.
 5. Start engine and check area around drain plug and oil filter for oil leakage.
 6. Run engine for a few minutes, then turn it off. After several minutes, check oil level.



Changing Oil Filter

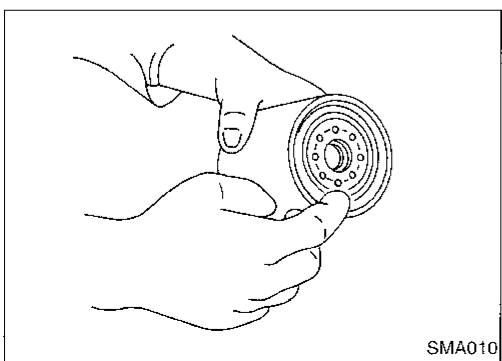
1. The oil filter is a small full-floating cartridge type and is provided with a relief valve.

Refer to LC section ("OIL FILTER").

2. Remove oil filter with Tool or suitable tool.

WARNING:

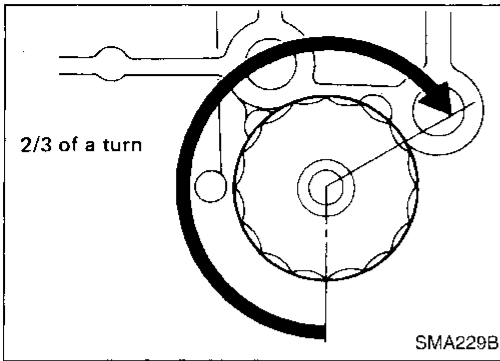
Be careful not to burn yourself, as the engine and the engine oil are hot.



3. Clean oil filter mounting surface on cylinder block. Coat rubber seal of new oil filter with engine oil.

ENGINE MAINTENANCE

Changing Oil Filter (Cont'd)



4. Screw in the oil filter until a slight resistance is felt, then tighten additionally 2/3 turn.
5. Add engine oil.

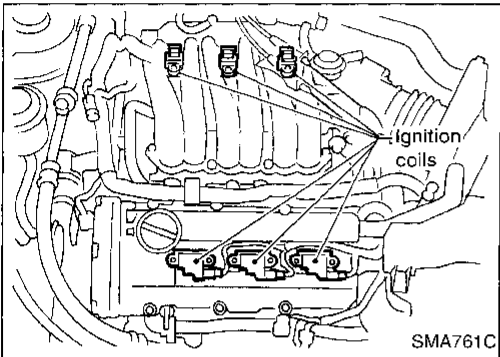
Refer to "Changing Engine Oil", MA-14 .

CI

MA

EM

Changing Spark Plugs



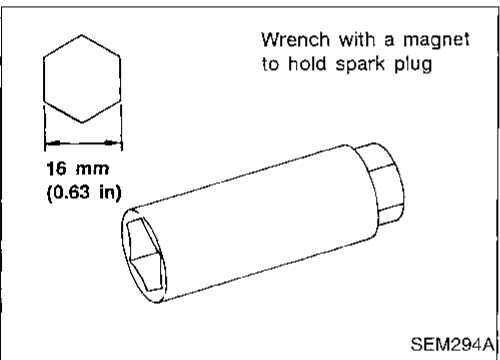
1. Remove left side rocker cover ornament.
2. Disconnect ignition coil harness connectors.
3. Loosen ignition coil fixing bolts and pull out coil from intake manifold connector.

LC

EC

FE

CL



4. Remove spark plugs with suitable spark plug wrench.


Spark plug (Platinum-tipped type):

Make	NGK
Standard type	PFR5G-11
Hot type	PFR4G-11
Cold type	PFR6G-11

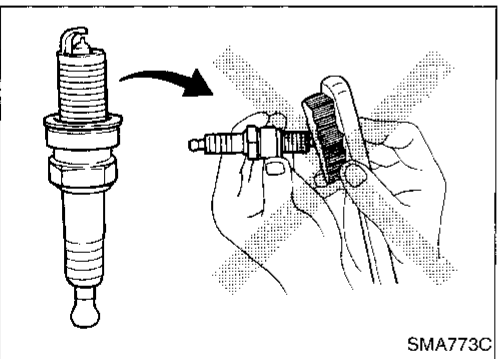
MT

AT

FA

: 20 - 29 N·m
(2.0 - 3.0 kg-m, 14 - 22 ft-lb)

RA



- Do not use a wire brush for cleaning.
- If plug tip is covered with carbon, spark plug cleaner may be used.

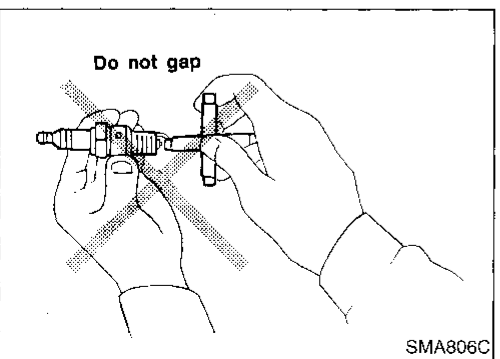
BR

ST

Cleaner air pressure:
Less than 588 kPa (6 kg/cm², 85 psi)
Cleaning time:
Less than 20 seconds

RS

BT

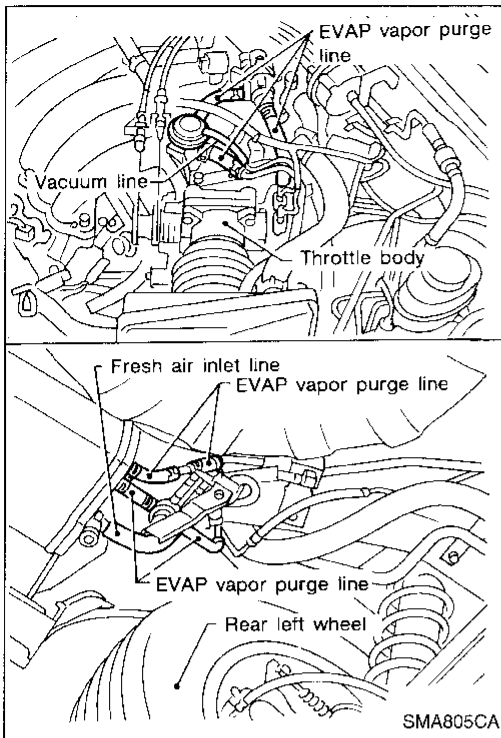


- Checking and adjusting plug gap is not required between change intervals.

HA

EL

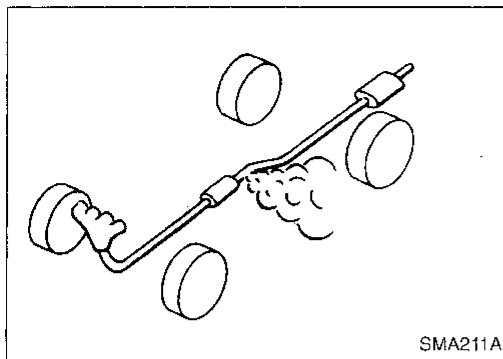
IDX



Checking EVAP Vapor Purge Lines

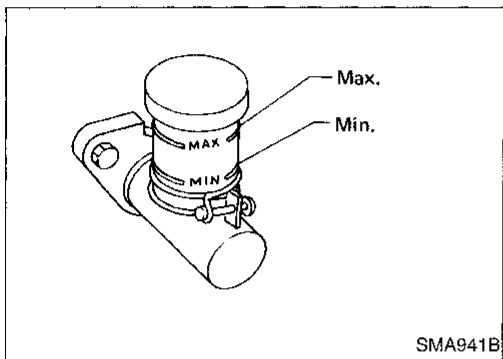
1. Visually inspect EVAP vapor purge lines for improper attachment and for cracks, damage, loose connections, chafing and deterioration.
2. Inspect fuel tank filler cap vacuum relief valve for clogging, sticking, etc.

Refer to EVAPORATIVE EMISSION SYSTEM in EC section.



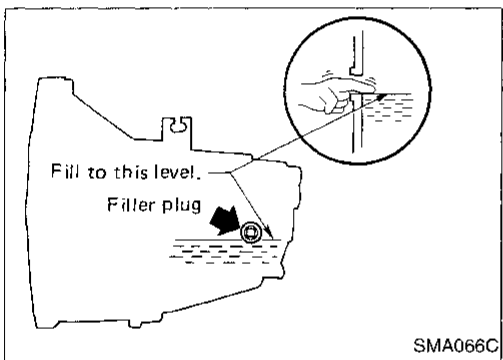
Checking Exhaust System

Check exhaust pipes, muffler and mounting for improper attachment for leaks, cracks, damage, loose connections, chafing and deterioration.



Checking Clutch Fluid Level and Leaks

If fluid level is extremely low, check clutch system for leaks.



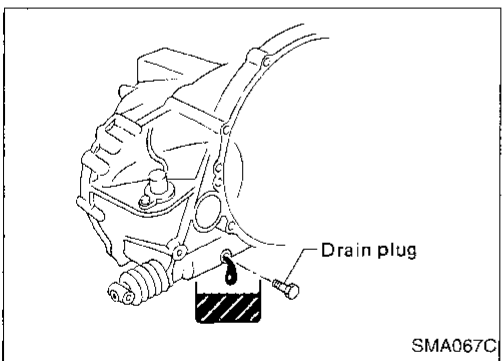
Checking M/T Oil

- Check for oil leakage and oil level.

Never start engine while checking oil level.

Filler plug:

: 25 - 34 N·m (2.5 - 3.5 kg·m, 18 - 25 ft·lb)



Changing M/T Oil

1. Drain oil from drain plug and refill with new gear oil.
2. Check oil level.

Oil grade:

API GL-4

Viscosity:

See "RECOMMENDED FLUIDS AND LUBRICANTS" in MA section.

Capacity:

RS5F50A

4.5 - 4.8 ℓ

(9-1/2 - 10-1/8 US pt, 7-7/8 - 8-1/2 Imp pt)

RS5F50V

4.3 - 4.5 ℓ

(9-1/8 - 9-1/2 US pt, 7-5/8 - 7-7/8 Imp pt)

Drain plug :

: 15 - 20 N·m (1.5 - 2.0 kg·m, 11 - 14 ft·lb)

GI

MA

EM

LC

EC

FE

CL

MT

AT

FA

RA

BR

ST

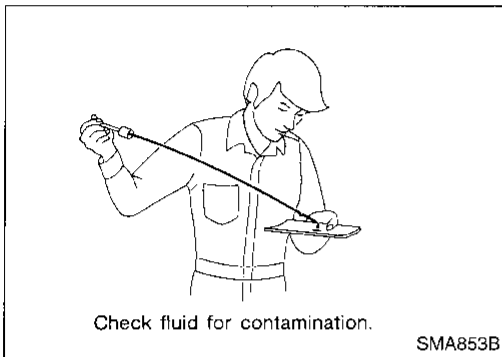
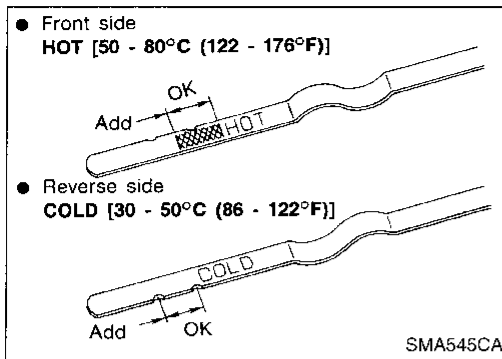
RS

BT

HA

EL

IDX



Checking A/T Fluid

1. Check for fluid leakage and fluid level.
Drive vehicle approximately 5 minutes in urban areas after engine is warmed up. Then check fluid level using "HOT" range on dipstick [at fluid temperatures of 50 to 80°C (122 to 176°F)]. For reference, after engine is warmed up, it can be checked using "COLD" range [at fluid temperatures of 30 to 50°C (86 to 122°F)]. However, fluid level must be rechecked using "HOT" range.

- 1) Park vehicle on level surface and set parking brake.
- 2) Start engine and then move selector lever through each gear range, ending in "P".
- 3) Check fluid level with engine idling.
- 4) Remove dipstick and wipe it clean with lint-free paper.
- 5) Reinsert dipstick into charging pipe as far as it will go.
- 6) Remove dipstick and note reading. If level is at low side of either range, add fluid to the charging pipe.

Do not overfill.

2. Check fluid for contamination. If fluid is very dark or smells burned, or contains frictional material (clutches, band, etc.), check operation of A/T.
Refer to section AT for checking operation of A/T.

Changing A/T Fluid

1. Warm up A/T fluid.
2. Stop engine.
3. Drain A/T fluid from drain plug and refill with new A/T fluid.
Always refill same volume with drained fluid.

Fluid grade:

Genuine Nissan ATF or equivalent

Fluid capacity (With torque converter):

9.4 (10 US qt, 8-1/4 Imp qt)

Drain plug :

⚠: 29 - 39 N·m (3.0 - 4.0 kg·m, 22 - 29 ft·lb)

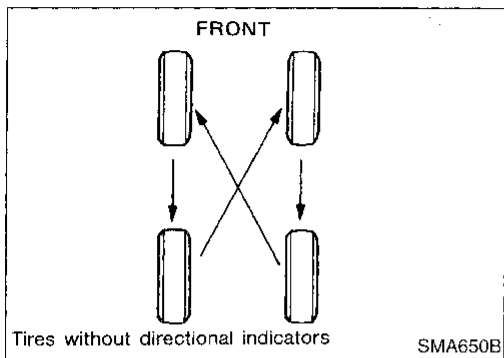
4. Run engine at idle speed for five minutes.
5. Check fluid level and condition. Refer to "Checking A/T Fluid".
If fluid is still dirty, repeat step 2. through 5.

Balancing Wheels

Adjust wheel balance using road wheel center.

Wheel balance (Maximum allowable unbalance):

Refer to SDS (MA-22).



Tire Rotation

Do not include the T-type spare tire when rotating the tires.

Wheel nuts:

⊗: 98 - 118 N·m
(10.0 - 12.0 kg-m, 72 - 87 ft-lb)

CI

MA

EM

LC

EC

FE

CL

MT

AT

FA

RA

BR

ST

RS

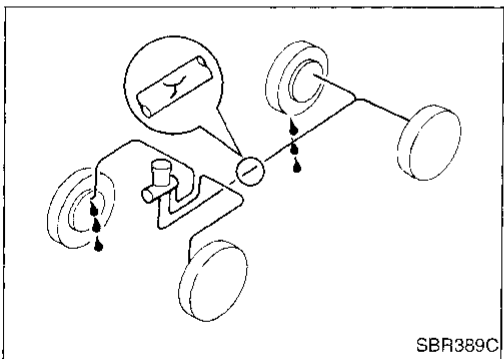
BT

HA

EL

IDX

69

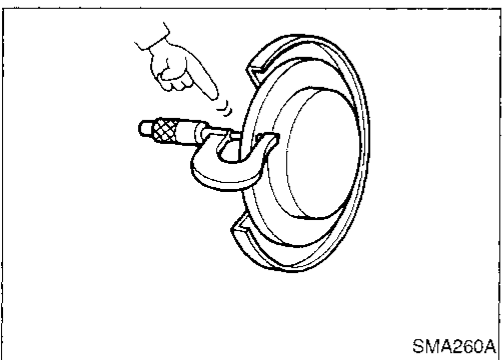


Checking Brake Fluid Level and Leaks

If fluid level is extremely low, check brake system for leaks.

Checking Brake Lines and Cables

Check brake fluid lines and parking brake cables for improper attachment, leaks, chafing, abrasions, deterioration, etc.



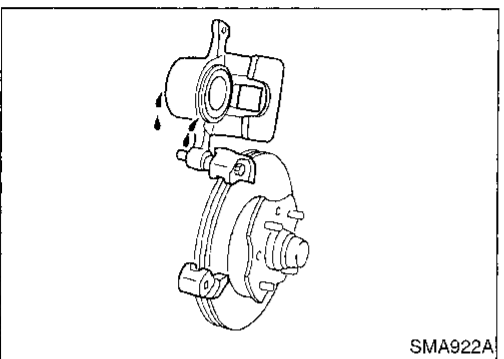
Checking Disc Brake

ROTOR

Check condition and thickness.

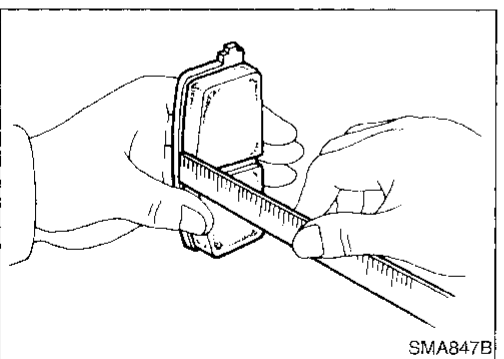
Unit: mm (in)

	CL25VB	CL9HA
Standard thickness	22 (0.87)	9 (0.35)
Minimum thickness	20.0 (0.787)	8.0 (0.315)



CALIPER

Check for leakage.

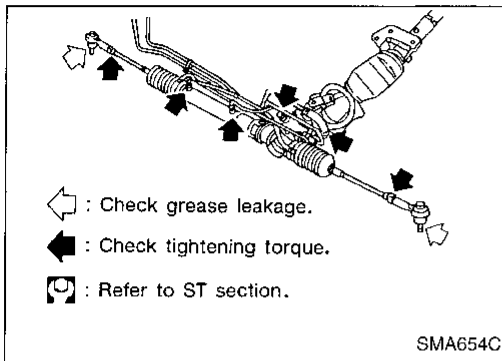


PAD

Check for wear or damage.

Unit: mm (in)

	CL25VB	CL9HA
Standard thickness	11 (0.43)	10 (0.39)
Minimum thickness	2.0 (0.079)	1.5 (0.059)



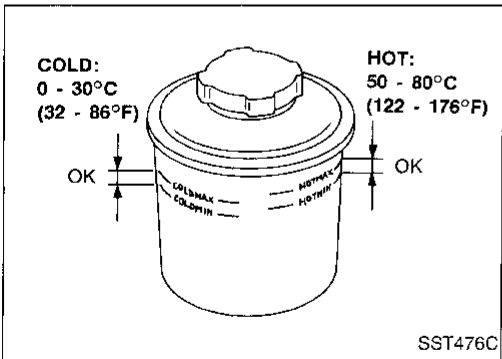
Checking Steering Gear and Linkage

STEERING GEAR

- Check gear housing and boots for looseness, damage or grease leakage.
- Check connection with steering column for looseness.

STEERING LINKAGE

Check ball joint, dust cover and other component parts for looseness, wear, damage or grease leakage.



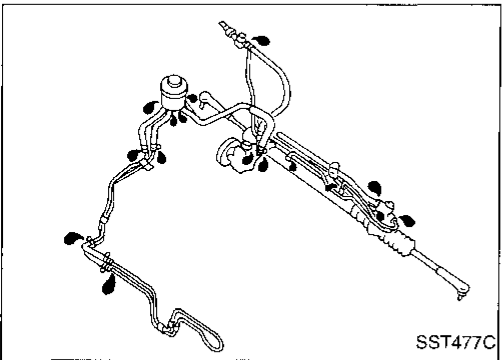
Checking Power Steering Fluid and Lines

Check fluid level in reservoir tank with engine off.

Use "HOT" range at fluid temperatures of 50 to 80°C (122 to 176°F) or "COLD" range at fluid temperatures of 0 to 30°C (32 to 86°F).

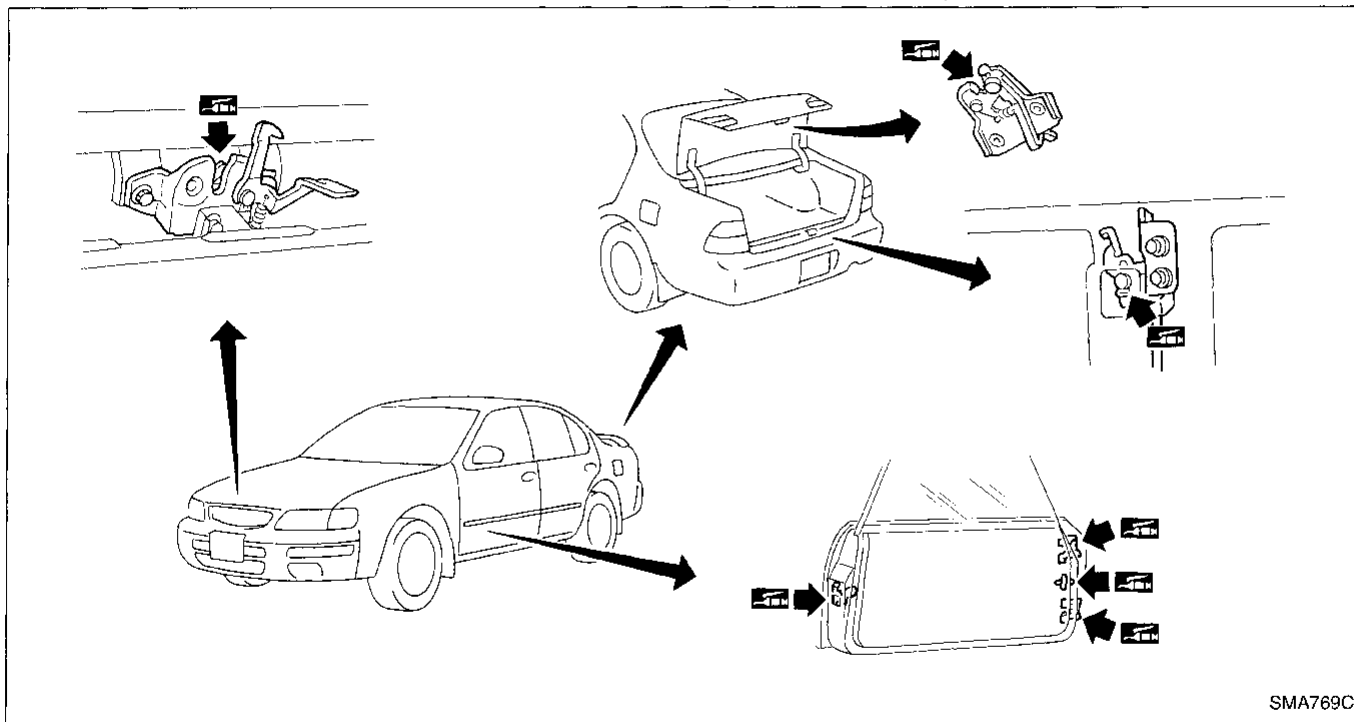
CAUTION:

- Do not overfill.
- Recommended fluid is Automatic Transmission Fluid type "DEXRON™II" or equivalent.



- Check lines for improper attachment, leaks, cracks, damage, loose connections, chafing or deterioration.
- Check rack boots for accumulation of power steering fluid.

Lubricating Locks, Hinges and Hood Latches



SMA769C


Checking Seat Belts, Buckles, Retractors, Anchors and Adjusters

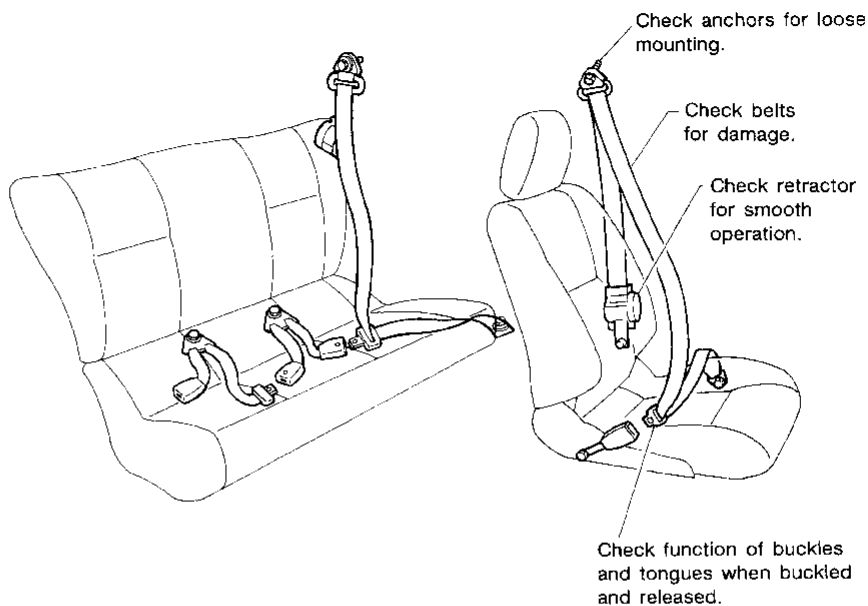
CAUTION:

- After any collision, inspect all seat belt assemblies, including retractors and other attached hardware (i.e. guide rail set). Nissan recommends to replace all seat belt assemblies in use during a collision, unless not damaged and properly operating after minor collision. Also inspect seat belt assemblies not in use during a collision, and replace if damaged or improperly operating.
- If any component of seat belt assembly is questionable, do not repair. Replace as seat belt assembly.
- If webbing is cut, frayed, or damaged, replace belt assembly.
- Never oil tongue and buckle.
- Use a genuine seat belt assembly.

For seat belt pre-tensioner, refer to section RS.

Anchor bolt

 43 - 55 N·m
(4.4 - 5.6 kg-m,
32 - 41 ft-lb)



MMA098A

SERVICE DATA AND SPECIFICATIONS (SDS)

Engine Maintenance

INSPECTION AND ADJUSTMENT

Drive belt deflection

Drive belts	Used belt deflection		Deflection of new belt
	Limit	Deflection after adjustment	
Alternator			
With air conditioner compressor	7 (0.28)	4.2 - 4.6 (0.165 - 0.181)	3.8 - 4.1 (0.150 - 0.161)
Without air conditioner compressor	10 (0.39)	6.3 - 6.9 (0.248 - 0.272)	5.8 - 6.2 (0.228 - 0.244)
Power steering oil pump	11 (0.43)	7.3 - 8 (0.287 - 0.315)	6.5 - 7 (0.256 - 0.276)
Applied pushing force	98 N (10 kg, 22 lb)		

Unit: mm (in)

Spark plug

		Platinum tipped type
Make		NGK
Type		
Standard		PFR5G-11
Hot		PFR4G-11
Cold		PFR6G-11
Plug gap	mm (in)	1.0 - 1.1 (0.039 - 0.043)

Chassis and Body Maintenance

INSPECTION AND ADJUSTMENT

Wheel balance

Maximum allowable unbalance	Dynamic (At rim flange)	10 (0.35) (one side)
	Static	20 (0.71)